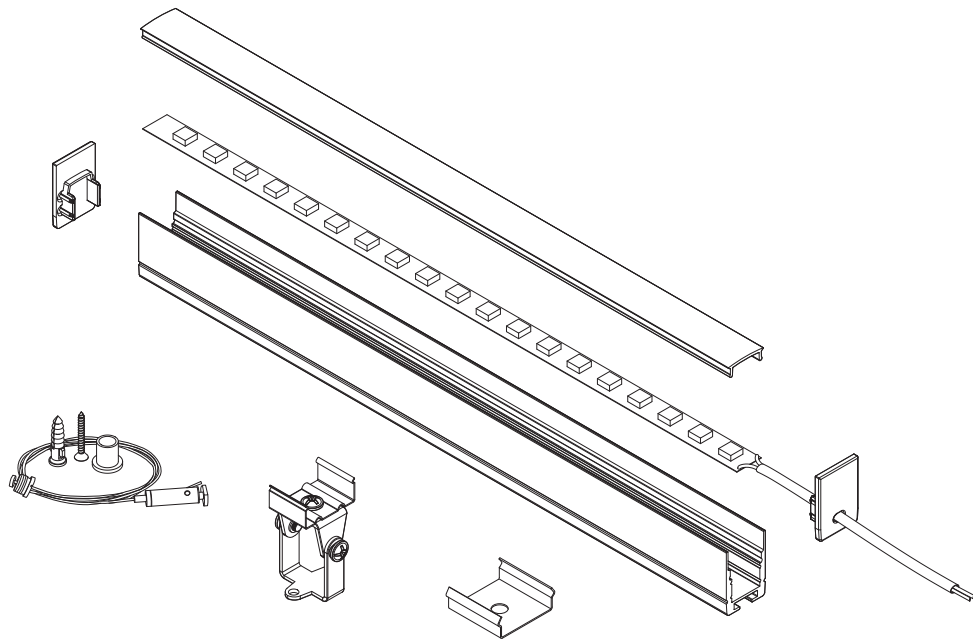
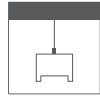
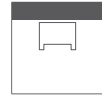
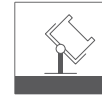
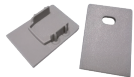


Aluminium LED Profile LW-AS1N-H



Installing Accessories



Plastic Endcap Code: AS1N-H-Cap
(with/without hole) Code: AS1N-H-Cap-H



Metal Clip
Code: AS1-Clip-M



(Optional)

Suspension Kits
Code: Sus.KitsA



(Optional)

Joiners 180°A
Code: J-180A



(Optional)

Adjustable Clip
Code: AS1-Clip-A



(Optional)

Joiners 90°A
Code: J-90A



(Optional)

Joiners 90°B
Code: J-90B



(Optional)

Joiners 120°A
Code: J-120A



(Optional)

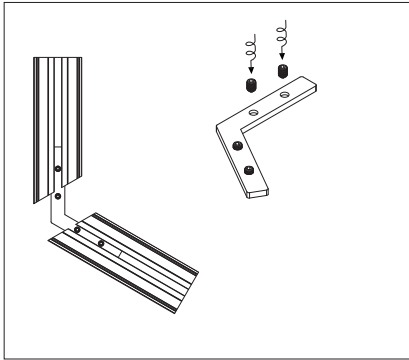
Joiners 120°B
Code: J-120B

Optional Diffuser(PMMA)

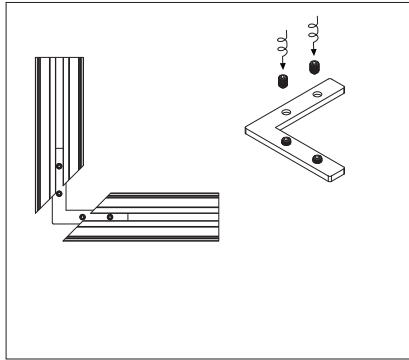
Color	Light Transmittance	Code
Opal	58%	D001-O
Milky	75%	D001-M
Frost	88%	D001-F
Clear	97%	D001-C
Black	21%	D001-B



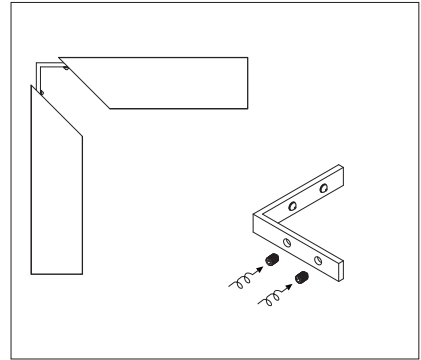
Applicable joiners



120°

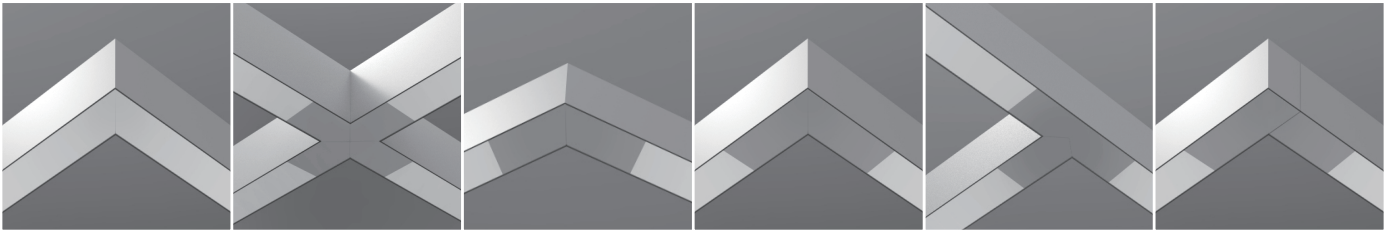


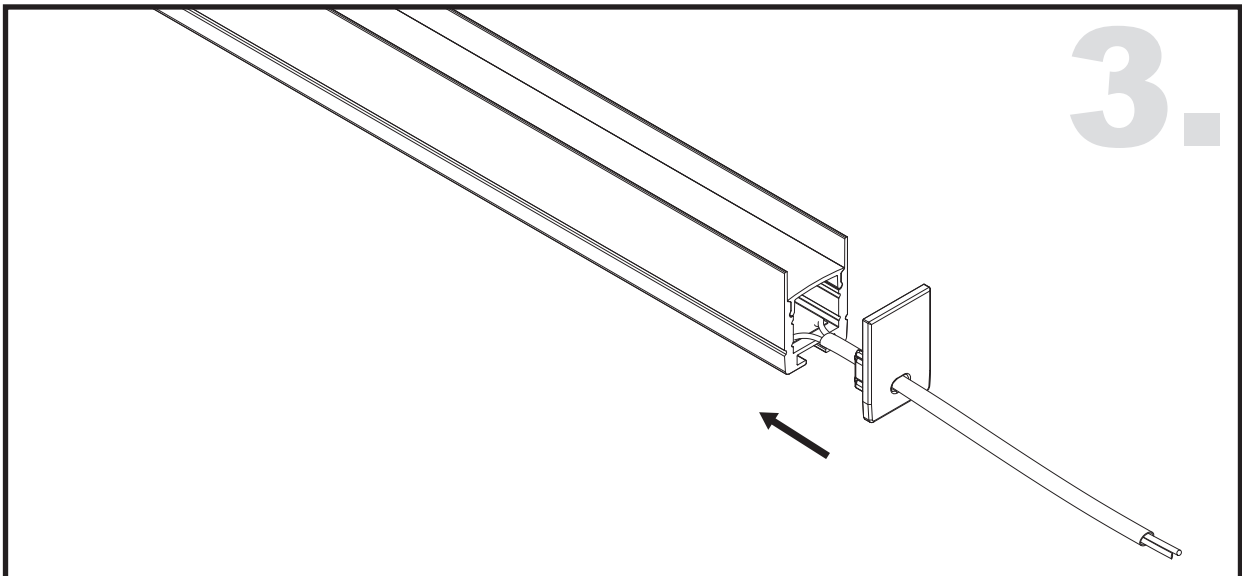
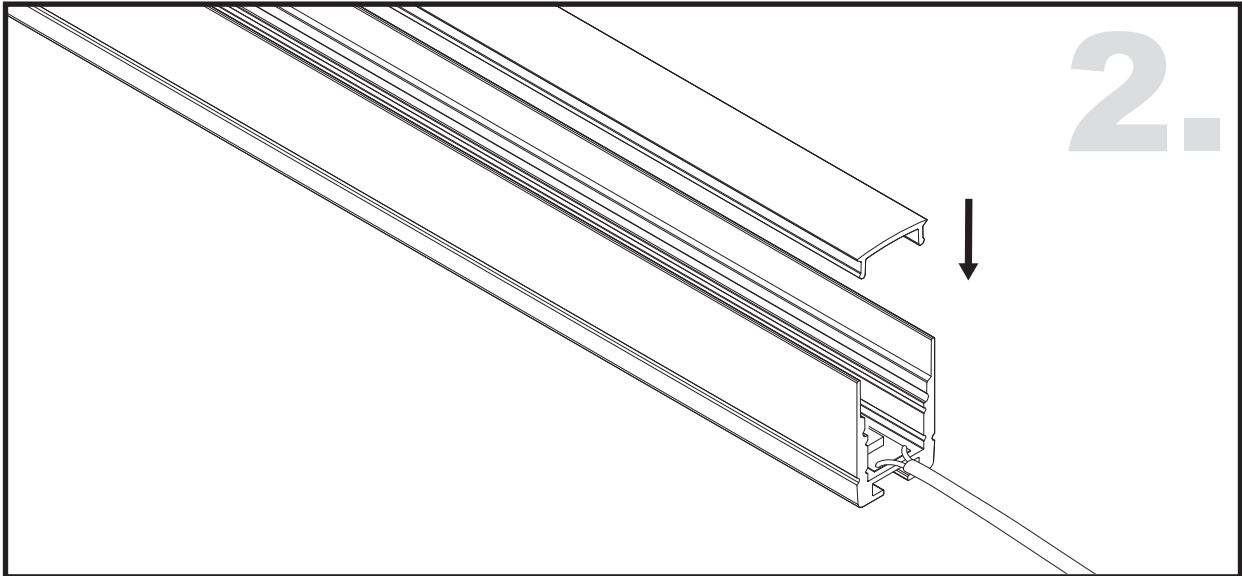
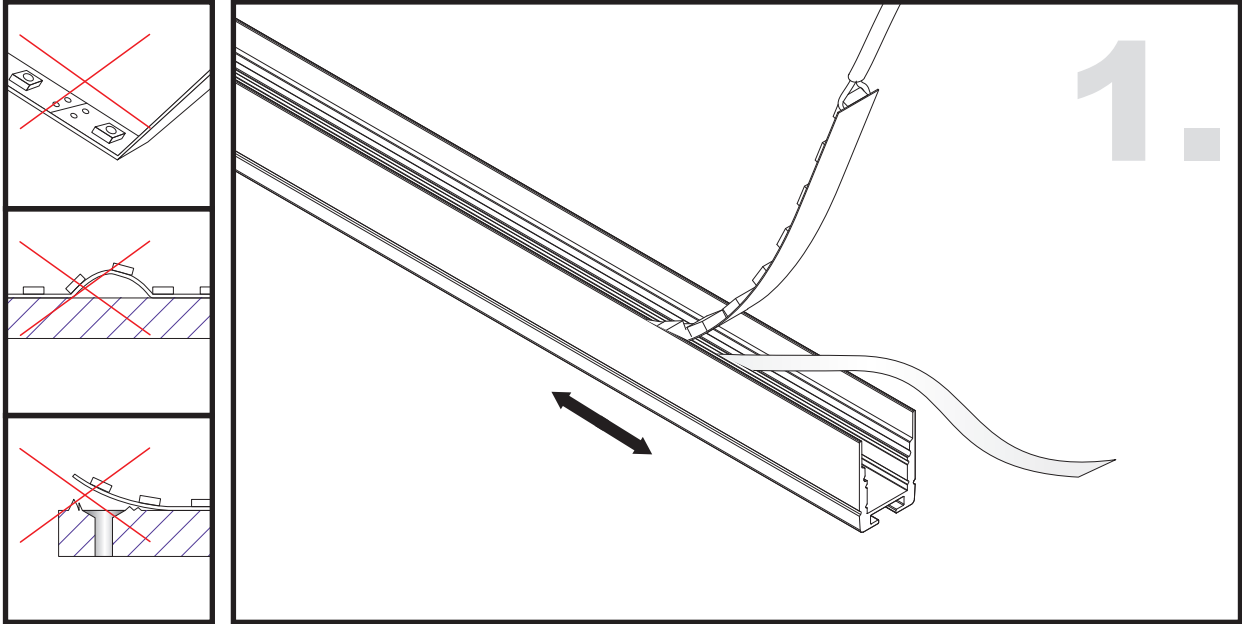
90°A



90°B

Other installation & Connection ways

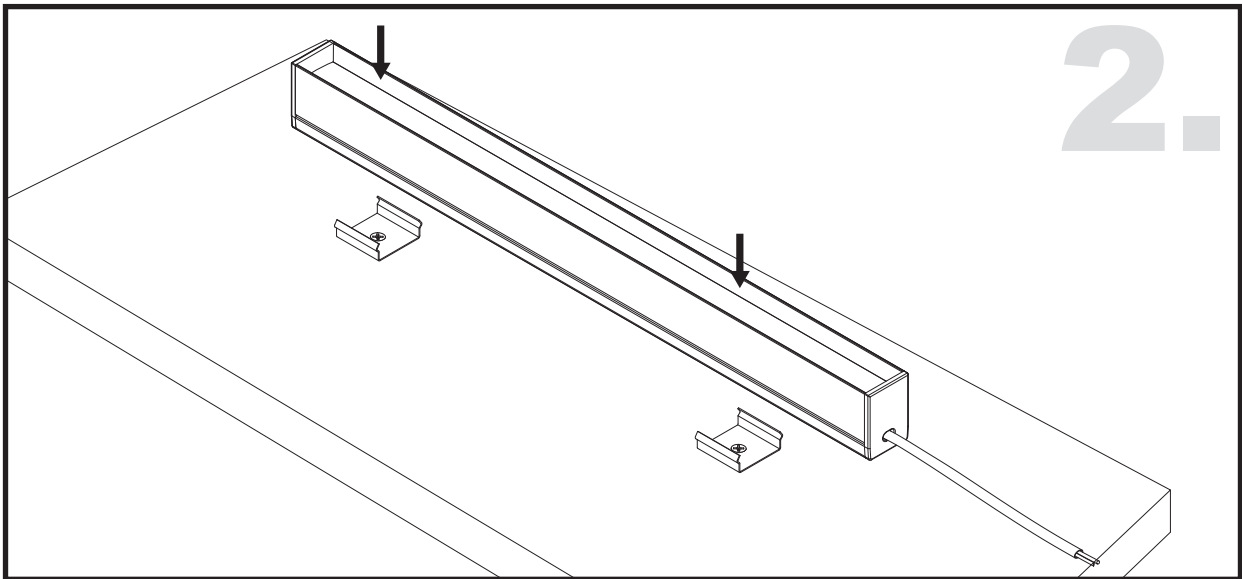
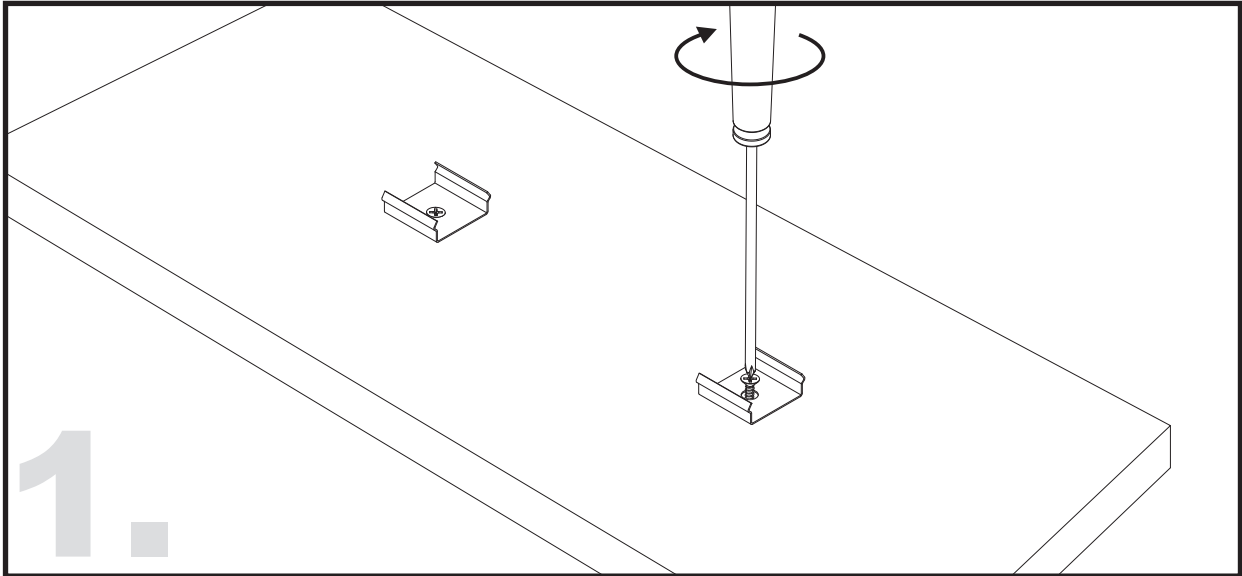






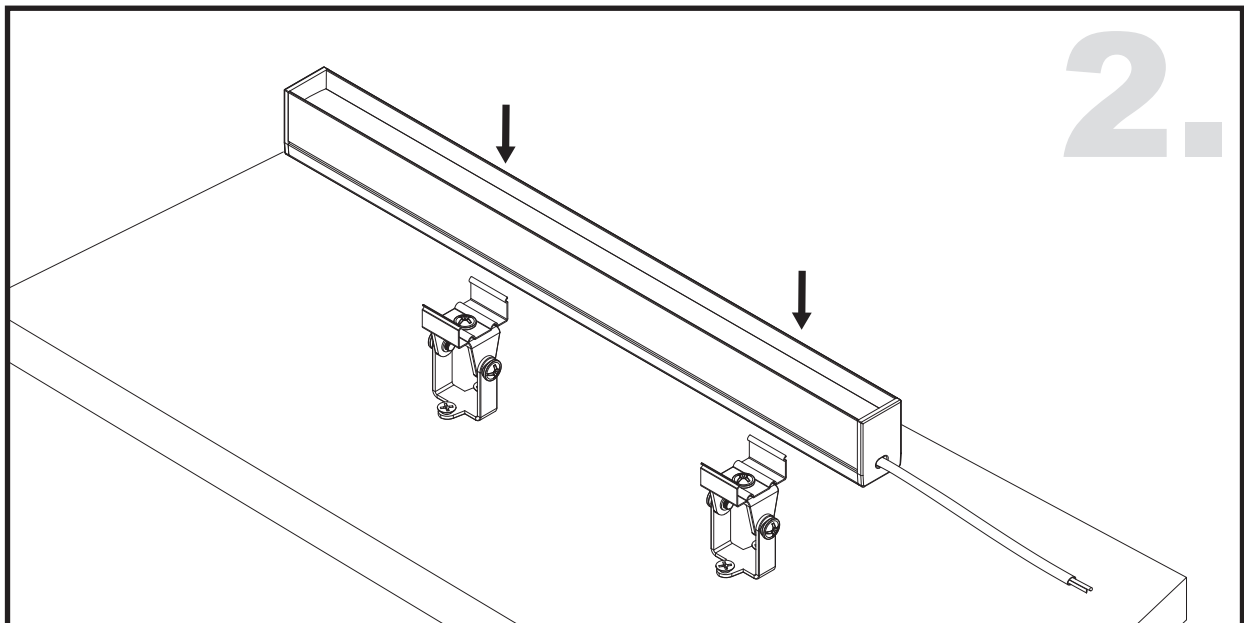
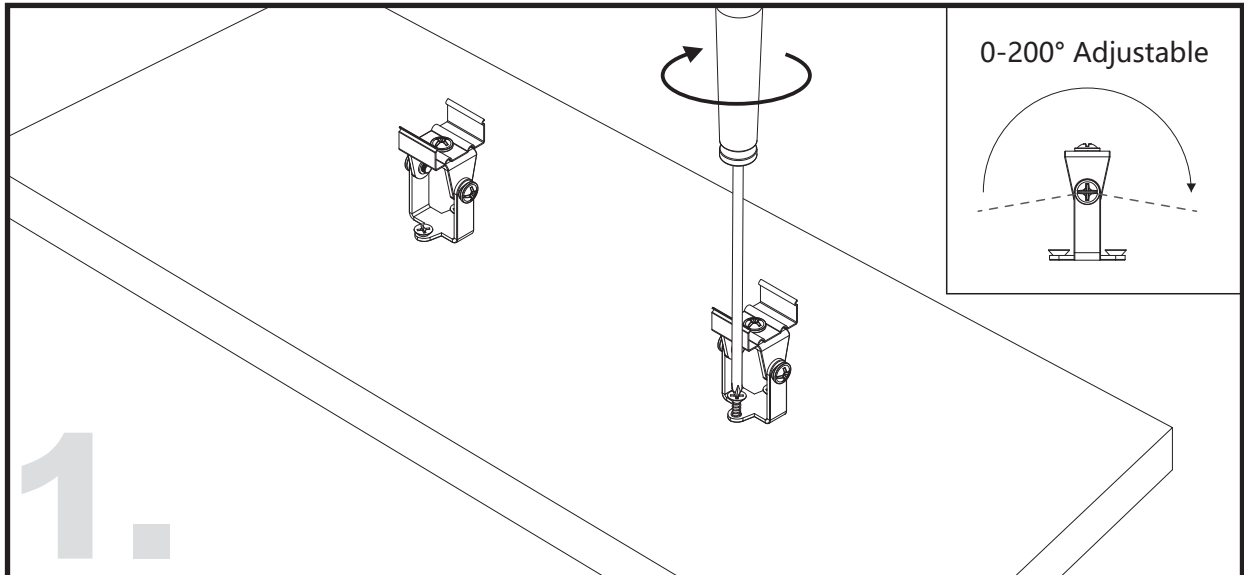
Surface

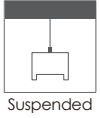
METAL CLIP INSTALLING INSTRUCTIONS





ADJUSTABLE CLIP INSTALLING INSTRUCTIONS





SUSPENDED INSTALLING INSTRUCTIONS

